

# Quality Alert

Part: 21-7253

What: Tank Filler Strainer

Products Affected: Mid-Mount Boom Mowers with tanks located on the Travel Rest

During a review of field performance, it was determined that the original filler strainer material may weaken over time and could be susceptible to cracking or breaking under normal operating conditions.

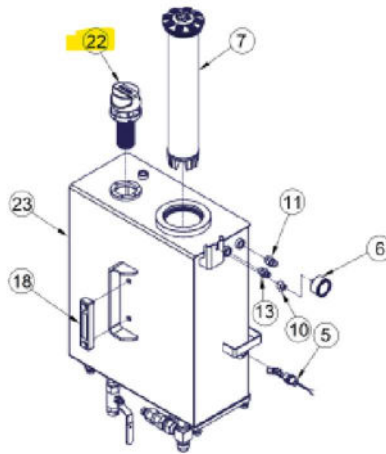
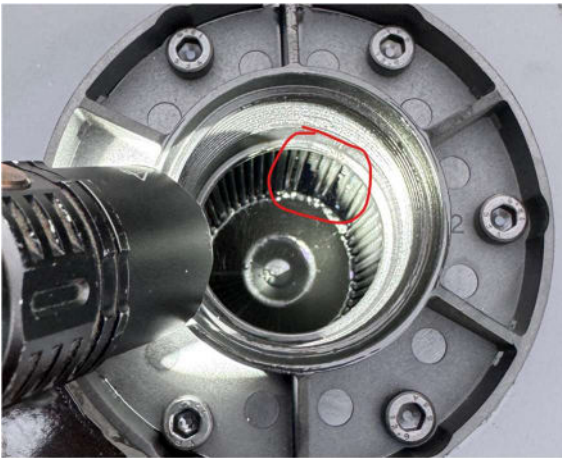
As a corrective action, the filler strainer has been redesigned using a more durable metal material. This updated design significantly improves strength and long-term reliability.

The updated metal version can be visually distinguished by its silver metallic appearance, whereas the original design is molded black plastic.

Recommended actions:

- Inspect existing units for the original style strainer
- Replace with the updated metal version where applicable

If you would like to update to the metal strainer, please contact your local Diamond Mower Dealer.



## DIAMOND MOWERS

350 E 60th Street North  
Sioux Falls, SD 57104

email [Info@diamondmowers.com](mailto:Info@diamondmowers.com)

main office 605.977.3300

fax 605.686.5870

[DIAMONDMOWERS.COM](http://DIAMONDMOWERS.COM)